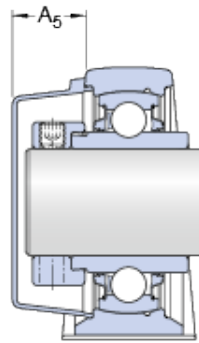
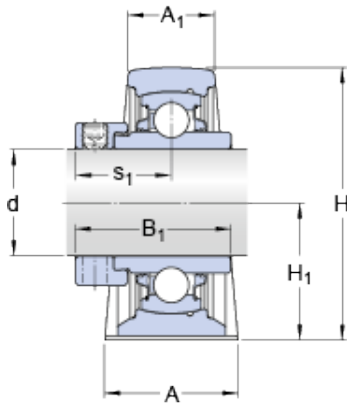




BEARING CORP.OF AMERICA



skf SY 25 WDW Ball bearing plummer block units

Bearing No. SY 25 WDW

SY 25 WDW Bearing 2D drawings and 3D CAD models

Size	25x36x22 mm
Bore Diameter	25 mm
Outer Diameter	36 mm
Width	22 mm
d	25 mm
A	36 mm
A ₁	22 mm
A ₅	18 mm
B ₁	44.4 mm
H	70 mm
H ₁	36.5 mm
H ₂	16 mm
J	102 mm
J - max.	110 mm
J - min.	94 mm
L	130 mm
H	19.5 mm
N ₁	11.5 mm
s ₁	26.9 mm
J ₆	120 mm
J ₇	13 mm
N ₄	4 mm
Basic dynamic load rating - C	14 kN



BEARING CORP.OF AMERICA

Basic static load rating - C_0	7.8 kN
Fatigue load limit - P_u	0.335 kN
Limiting speed	1500 r/min
Weight	0.76 kg
Hexagonal key size for grub screw - H	3 mm
Housing material	Cast iron
A_1	22 mm
A_5	18 mm
B_1	44.4 mm
H_1	36.5 mm
H_2	16 mm
J max.	110 mm
J min.	94 mm
N	19.5 mm
N_1	11.5 mm
s_1	26.9 mm
J_6	120 mm
J_7	13 mm
N_4	4 mm
Basic dynamic load rating C	14 kN
Basic static load rating C_0	7.8 kN
Fatigue load limit P_u	0.335 kN
Mass bearing unit	0.76 kg
Thread grub screw G_2	M6x0.75
Hexagonal key size for grub screw N	3 mm
Recommended tightening torque for grub screw	4 N · m
Recommended diameter for attachment bolts, mm G	10 mm
Recommended diameter for attachment bolts, inch G	0.375 in



BEARING CORP.OF AMERICA

Housing

SY 505 M/VZ033