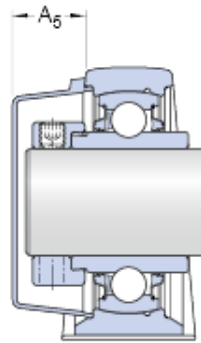
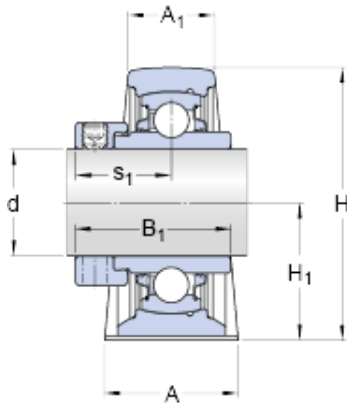




# BEARING CORP.OF AMERICA



## skf SY 50 WDW Ball bearing plummer block units

Bearing No. SY 50 WDW

SY 50 WDW Bearing 2D drawings and 3D CAD models

Size	50x54x34 mm
Bore Diameter	50 mm
Outer Diameter	54 mm
Width	34 mm
d	50 mm
A	54 mm
A <sub>1</sub>	34 mm
A <sub>5</sub>	29.5 mm
B <sub>1</sub>	62.7 mm
H	114 mm
H <sub>1</sub>	57.2 mm
H <sub>2</sub>	22 mm
J	157 mm
J - max.	165 mm
J - min.	149 mm
L	203 mm
H	26 mm
N <sub>1</sub>	18 mm
s <sub>1</sub>	38.1 mm
J <sub>6</sub>	187 mm
J <sub>7</sub>	19 mm
N <sub>4</sub>	4 mm
Basic dynamic load rating - C	35.1 kN



## BEARING CORP.OF AMERICA

Basic static load rating - $C_0$	23.2 kN
Fatigue load limit - $P_u$	0.98 kN
Limiting speed	800 r/min
Weight	2.75 kg
Hexagonal key size for grub screw - H	5 mm
Housing material	Cast iron
$A_1$	34 mm
$A_5$	29.5 mm
$B_1$	62.7 mm
$H_1$	57.2 mm
$H_2$	22 mm
J max.	165 mm
J min.	149 mm
N	26 mm
$N_1$	18 mm
$s_1$	38.1 mm
$J_6$	187 mm
$J_7$	19 mm
$N_4$	4 mm
Basic dynamic load rating C	35.1 kN
Basic static load rating $C_0$	23.2 kN
Fatigue load limit $P_u$	0.98 kN
Mass bearing unit	2.75 kg
Thread grub screw $G_2$	M10x1
Hexagonal key size for grub screw N	5 mm
Recommended tightening torque for grub screw	16.5 N · m
Recommended diameter for attachment bolts, mm G	16 mm
Recommended diameter for attachment bolts, inch G	0.625 in



# BEARING CORP.OF AMERICA

Housing

SY 510 M/VZ033