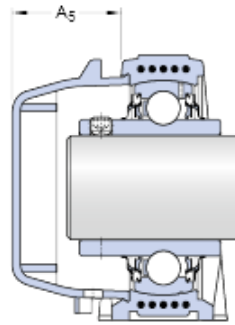
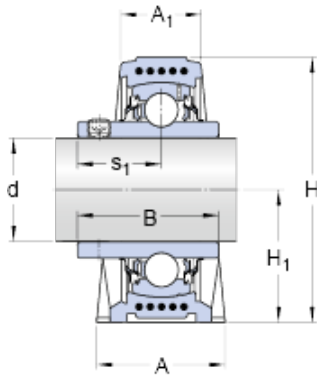




# BEARING CORP.OF AMERICA



skf SYWK 25 YTA Ball bearing plummer  
block units

Bearing No. SYWK 25 YTA

SYWK 25 YTA Bearing 2D drawings and 3D CAD  
models

Size	25x32x22 mm
Bore Diameter	25 mm
Outer Diameter	32 mm
Width	22 mm
d	25 mm
A	32 mm
A <sub>1</sub>	22 mm
A <sub>5</sub>	26.3 mm
B	34.1 mm
H	70.5 mm
H <sub>1</sub>	36.5 mm
H <sub>2</sub>	16 mm
J	105 mm
J - max.	110 mm
J - min.	100 mm
L	134 mm
H	17.5 mm
N <sub>1</sub>	12.5 mm
s <sub>1</sub>	19.8 mm
Basic dynamic load rating - C	14 kN
Basic static load rating - C <sub>0</sub>	7.8 kN
Fatigue load limit - P <sub>u</sub>	0.335 kN
Limiting speed	4300 r/min



## BEARING CORP.OF AMERICA

Weight	0.33 kg
Hexagonal key size for grub screw - H	3 mm
Category	Bearings
Inventory	0.0
Manufacturer Name	SKF
Minimum Buy Quantity	N/A
Weight / Kilogram	0
Product Group	M06110
Housing material	Composite for food and beverage
A <sub>1</sub>	22 mm
A <sub>5</sub>	26.3 mm
B <sub>4</sub>	5 mm
H <sub>1</sub>	36.5 mm
H <sub>2</sub>	16 mm
J max.	110 mm
J min.	100 mm
N	17.5 mm
N <sub>1</sub>	12.5 mm
s <sub>1</sub>	19.8 mm
Basic dynamic load rating C	14 kN
Basic static load rating C <sub>0</sub>	7.8 kN
Fatigue load limit P <sub>u</sub>	0.335 kN
Mass bearing unit	0.33 kg
Thread grub screw G <sub>2</sub>	M6x0.75
Hexagonal key size for grub screw N	3 mm
Recommended tightening torque for grub screw	4 N · m
Recommended diameter for attachment bolts, mm G	10 mm
Recommended diameter for attachment bolts, inch G	0.375 in



# BEARING CORP.OF AMERICA