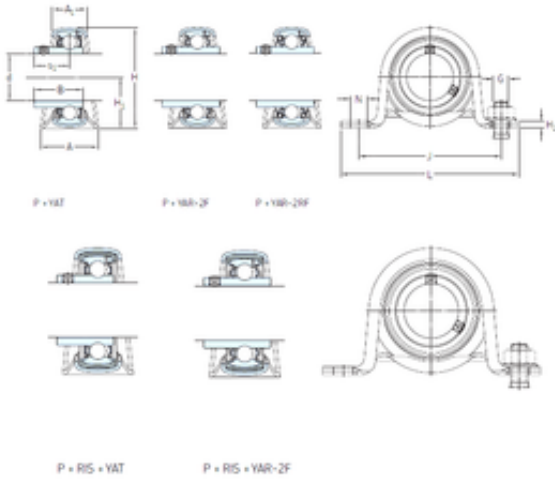




BEARING CORP.OF AMERICA



skf P 62 R-1. FM Ball bearing plummer block units

Bearing No. P 62 R-1. FM

Bore Diameter	25,4 mm
d	25,4 mm
s ₁	23,5 mm
A	38 mm
A ₁	25 mm
B ₁	31 mm
G	10 mm
H	66 mm
H ₁	32,9 mm
H ₂	4 mm
J	95 mm
L	119 mm
N	11,2 mm
Weight	0,39 Kg
Basic dynamic load rating (C)	14 kN
Basic static load rating (C ₀)	7,8 kN
Housing material	Pressed steel
A ₁	25 mm
B ₁	31 mm
H ₁	33 mm
H ₂	4 mm
s ₁	23.5 mm
Basic dynamic load rating C	14 kN
Basic static load rating C ₀	7.8 kN
Fatigue load limit P _u	0.335 kN

P 62 R-1. FM Bearing 2D drawings and 3D CAD models



BEARING CORP.OF AMERICA

Permissible radial housing load max.	2.6 kN
Limiting speed	7000 r/min
Mass bearing unit	0.38 kg
Thread grub screw G ₂	1/4-28 UNF
Hexagonal key size for grub screw N	3.175 mm
Recommended tightening torque for grub screw	4 N · m
Recommended diameter for attachment bolts, mm G	10 mm
Recommended diameter for attachment bolts, inch G	0.375 in