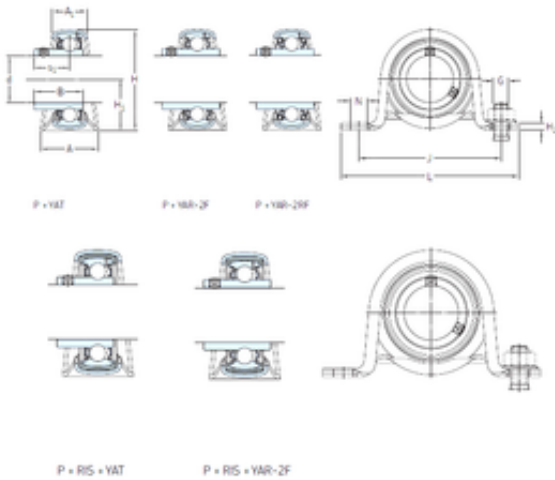




# BEARING CORP. OF AMERICA



## skf P 15 TF Ball bearing plummer block units

Bearing No. P 15 TF

Bore Diameter	15 mm
d	15 mm
s <sub>1</sub>	15,9 mm
A	26 mm
A <sub>1</sub>	18 mm
B	27,4 mm
H	44 mm
H <sub>1</sub>	22 mm
H <sub>2</sub>	3 mm
J	68 mm
L	86 mm
N	9,6 mm
Thread (G)	8
Weight	0,17 Kg
Basic dynamic load rating (C)	9,56 kN
Basic static load rating (C <sub>0</sub> )	4,75 kN
Housing material	Pressed steel
A <sub>1</sub>	18 mm
B <sub>4</sub>	4 mm
H <sub>1</sub>	22.1 mm
H <sub>2</sub>	3 mm
s <sub>1</sub>	15.9 mm
Basic dynamic load rating C	9.56 kN
Basic static load rating C <sub>0</sub>	4.75 kN
Fatigue load limit P <sub>u</sub>	0.2 kN
Permissible radial housing	1.25 kN

P 15 TF Bearing 2D drawings and 3D CAD models



## BEARING CORP.OF AMERICA

load max.	
Limiting speed	9500 r/min
Mass bearing unit	0.16 kg
Thread grub screw G <sub>2</sub>	M6x0.75
Hexagonal key size for grub screw N	3 mm
Recommended tightening torque for grub screw	4 N · m
Recommended diameter for attachment bolts, mm G	8 mm
Recommended diameter for attachment bolts, inch G	0.3125 in