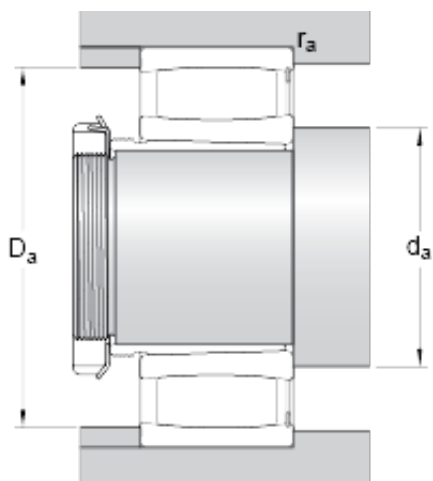




BEARING CORP.OF AMERICA



skf C 4024 K30V/VE240 + AH 24024 CARB
toroidal roller bearings

Bearing No. C 4024 K30V/VE240 + AH 24024

C 4024 K30V/VE240 + AH 24024 Bearing 2D drawings
and 3D CAD models

d_1	115 mm
D	180 mm
B	60 mm
B_1	73 mm
d_2	139 mm
D_1	164 mm
B_2	82 mm
G	M 125x2
G_1	13 mm
s_1 max.	17.8 mm
s_2 max.	17.8 mm
$r_{1,2}$ min.	2 mm
d_a min.	124.6 mm
d_a max.	152 mm
D_a max.	170 mm
r_a max.	2 mm
Basic dynamic load rating C	430 kN
Basic static load rating C_0	640 kN
Fatigue load limit P_u	65.5 kN
Limiting speed	1400 r/min
Misalignment factor k_1	0.085
Operating clearance factor k_2	0.142
Mass bearing + sleeve	5.65 kg