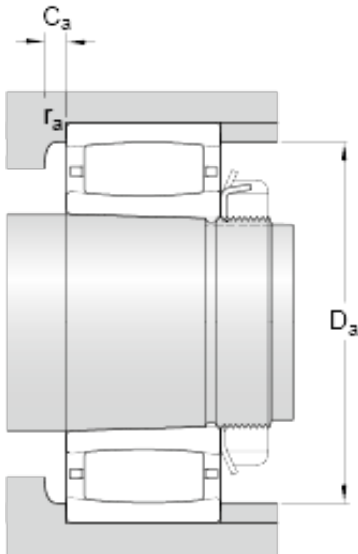




BEARING CORP.OF AMERICA



460 mm x 760 mm x 300 mm skf C 4192 K30MB
CARB toroidal roller bearings

Bearing No. C 4192 K30MB

C 4192 K30MB Bearing 2D drawings and 3D CAD models

d	460 mm
D	760 mm
B	300 mm
d ₂	537 mm
D ₁	671 mm
s ₁ max.	23.3 mm
r _{1,2} min.	7.5 mm
D _a min.	638 mm
D _a max.	728 mm
C _a min.	12.6 mm
r _a max.	6 mm
Basic dynamic load rating C	8650 kN
Basic static load rating C ₀	15000 kN
Fatigue load limit P _u	1020 kN
Reference speed	480 r/min
Limiting speed	630 r/min
Misalignment factor k ₁	0
Operating clearance factor k ₂	0.097
Mass bearing	563 kg