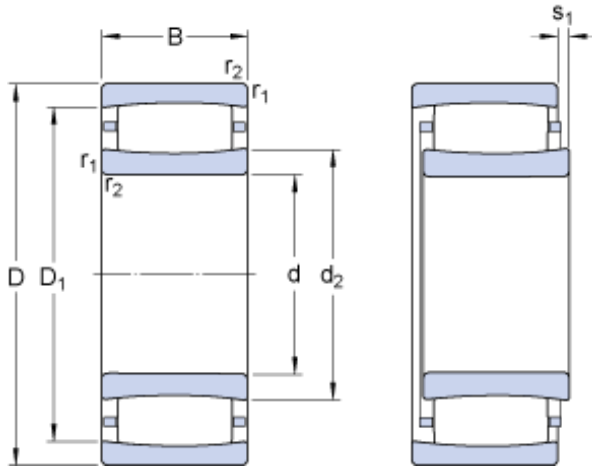




# BEARING CORP.OF AMERICA



600 mm x 870 mm x 200 mm skf C 30/600 M  
CARB toroidal roller bearings

Bearing No. C 30/600 M

C 30/600 M Bearing 2D drawings and 3D CAD models

Size	870x600x200 mm
Bore Diameter	870 mm
Outer Diameter	600 mm
Width	200 mm
d	600 mm
D	870 mm
B	200 mm
d <sub>2</sub>	692 mm
D <sub>1</sub>	805 mm
s <sub>1</sub>	35.9 mm
r <sub>1,2</sub> - min.	6 mm
d <sub>a</sub> - min.	623 mm
d <sub>a</sub> - max.	728 mm
D <sub>a</sub> - min.	776 mm
D <sub>a</sub> - max.	847 mm
C <sub>a</sub> - min.	2.7 mm
r <sub>a</sub> - max.	5 mm
Basic dynamic load rating - C	6300 kN
Basic static load rating - C <sub>0</sub>	12200 kN
Fatigue load limit - P <sub>u</sub>	780 kN
Reference speed	500 r/min
Limiting speed	700 r/min
Factor - k <sub>1</sub>	0.125
Factor - k <sub>2</sub>	0.098



## BEARING CORP.OF AMERICA

$d_2$	692 mm
$D_1$	805 mm
$s_1$ max.	35.9 mm
$r_{1,2}$ min.	6 mm
$d_a$ min.	623 mm
$d_a$ max.	728 mm
$D_a$ min.	776 mm
$D_a$ max.	847 mm
$C_a$ min.	2.7 mm
$r_a$ max.	5 mm
Basic dynamic load rating C	6300 kN
Basic static load rating $C_0$	12200 kN
Fatigue load limit $P_u$	780 kN
Misalignment factor $k_1$	0.125
Operating clearance factor $k_2$	0.098
Mass bearing	395 kg