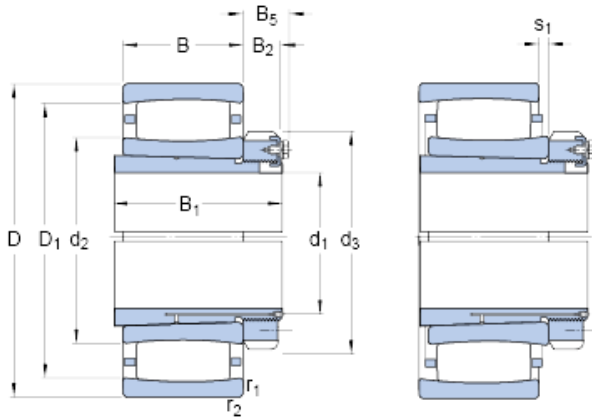




# BEARING CORP.OF AMERICA



skf C 3048 K + OH 3048 H CARB toroidal roller bearings

Bearing No. C 3048 K + OH 3048 H

C 3048 K + OH 3048 H Bearing 2D drawings and 3D CAD models

Size	360x220x133 mm
Bore Diameter	360 mm
Outer Diameter	220 mm
Width	133 mm
$d_1$	220 mm
D	360 mm
$B_1$	133 mm
$d_2$	276 mm
$d_3$	290 mm
$D_1$	329 mm
B	92 mm
$B_2$	34 mm
$B_5$	46 mm
$s_1$	19.2 mm
$r_{1,2}$ - min.	3 mm
$d_a$ - max.	293 mm
$d_b$ - min.	251 mm
$D_a$ - min.	312 mm
$D_a$ - max.	347 mm
$B_a$ - min.	11 mm
$C_a$ - min.	1.3 mm
$r_a$ - max.	2.5 mm
Basic dynamic load rating - C	1340 kN



## BEARING CORP.OF AMERICA

Basic static load rating - $C_0$	2160 kN
Fatigue load limit - $P_u$	183 kN
Reference speed	1500 r/min
Limiting speed	2000 r/min
Factor - $k_1$	0.113
Factor - $k_2$	0.106
$d_1$	220 mm
$B_1$	133 mm
$d_2$	276 mm
$d_3$	290 mm
$D_1$	329 mm
$B_2$	34 mm
$B_5$	46 mm
$s_1$ max.	19.2 mm
$r_{1,2}$ min.	3 mm
$d_a$ max.	293 mm
$d_b$ min.	251 mm
$D_a$ min.	312 mm
$D_a$ max.	347 mm
$B_a$ min.	11 mm
$C_a$ min.	1.3 mm
$r_a$ max.	2.5 mm
Basic dynamic load rating C	1340 kN
Basic static load rating $C_0$	2160 kN
Fatigue load limit $P_u$	183 kN
Misalignment factor $k_1$	0.113
Operating clearance factor $k_2$	0.106
Mass bearing + sleeve	42.5 kg