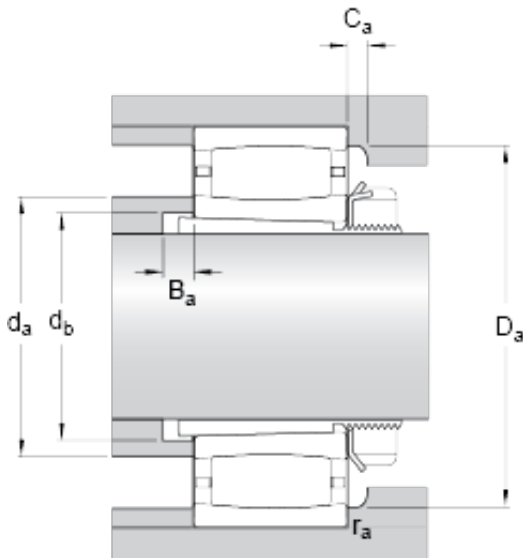




BEARING CORP.OF AMERICA

skf C 3036 K + H 3036 CARB toroidal roller bearings

Bearing No. C 3036 K + H 3036



C 3036 K + H 3036 Bearing 2D drawings and 3D CAD models

d_1	160 mm
D	280 mm
B	74 mm
B_1	109 mm
d_2	209 mm
d_3	210 mm
D_1	251 mm
B_4	29.5 mm
s_1 max.	15.1 mm
$r_{1,2}$ min.	2.1 mm
d_a max.	223 mm
d_b min.	189 mm
D_a min.	239 mm
D_a max.	269 mm
B_a min.	9 mm
C_a min.	2 mm
r_a max.	2 mm
Basic dynamic load rating C	880 kN
Basic static load rating C_0	1340 kN
Fatigue load limit P_u	122 kN
Reference speed	2000 r/min
Limiting speed	2600 r/min
Misalignment factor k_1	0.112
Operating clearance factor k_2	0.105
Mass bearing + sleeve	23 kg



BEARING CORP.OF AMERICA