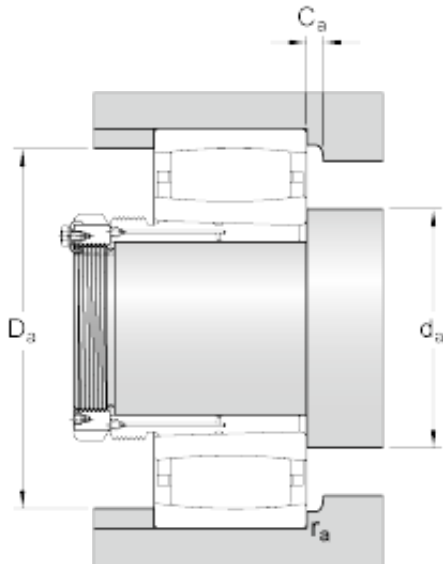




# BEARING CORP.OF AMERICA

skf C 3144 K + AOH 3144 CARB toroidal roller bearings

Bearing No. C 3144 K + AOH 3144



C 3144 K + AOH 3144 Bearing 2D drawings and 3D CAD models

$d_1$	200 mm
D	370 mm
B	120 mm
$B_1$	145 mm
$d_2$	268 mm
$D_1$	333 mm
$B_2$	151 mm
G	Tr 240x4
$G_1$	23 mm
$s_1$ max.	22.3 mm
$r_{1,2}$ min.	4 mm
$d_a$ min.	229 mm
$d_a$ max.	290 mm
$D_a$ min.	315 mm
$D_a$ max.	353 mm
$C_a$ min.	3.5 mm
$r_a$ max.	3 mm
Basic dynamic load rating C	1900 kN
Basic static load rating $C_0$	2900 kN
Fatigue load limit $P_u$	245 kN
Reference speed	1400 r/min
Limiting speed	1800 r/min
Misalignment factor $k_1$	0.114
Operating clearance factor $k_2$	0.097
Mass bearing + sleeve	60 kg



# BEARING CORP.OF AMERICA