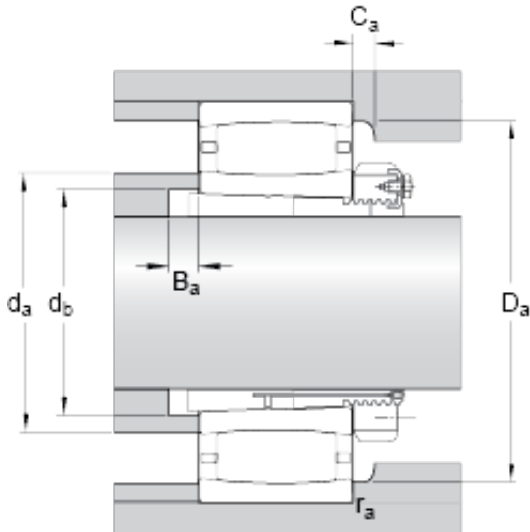




BEARING CORP.OF AMERICA

skf C 3192 KM + OH 3192 H CARB toroidal roller bearings

Bearing No. C 3192 KM + OH 3192 H



C 3192 KM + OH 3192 H Bearing 2D drawings and 3D CAD models

| | |
|----------------------------------|-----------|
| d_1 | 430 mm |
| D | 760 mm |
| B | 240 mm |
| B_1 | 326 mm |
| d_2 | 559 mm |
| d_3 | 580 mm |
| D_1 | 679 mm |
| B_2 | 75 mm |
| B_5 | 95 mm |
| s_1 max. | 51 mm |
| $r_{1,2}$ min. | 7.5 mm |
| d_a max. | 603 mm |
| d_b min. | 484 mm |
| D_a min. | 651 mm |
| D_a max. | 728 mm |
| B_a min. | 17 mm |
| C_a min. | 4.2 mm |
| r_a max. | 6 mm |
| Basic dynamic load rating C | 6800 kN |
| Basic static load rating C_0 | 12000 kN |
| Fatigue load limit P_u | 815 kN |
| Reference speed | 600 r/min |
| Limiting speed | 800 r/min |
| Misalignment factor k_1 | 0.108 |
| Operating clearance factor k_2 | 0.105 |



BEARING CORP.OF AMERICA

| |
|-----------------------|
| Mass bearing + sleeve |
|-----------------------|

| |
|--------|
| 540 kg |
|--------|