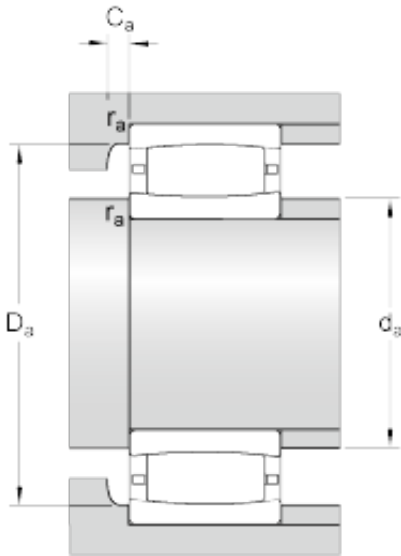




BEARING CORP.OF AMERICA



C 3972 M Bearing 2D drawings and 3D CAD models

360 mm x 480 mm x 90 mm skf C 3972 M
CARB toroidal roller bearings

Bearing No. C 3972 M

d	360 mm
D	480 mm
B	90 mm
d ₂	394 mm
D ₁	450 mm
s ₁ max.	17.2 mm
r _{1,2} min.	3 mm
d _a min.	373 mm
d _a max.	409 mm
D _a min.	435 mm
D _a max.	467 mm
C _a min.	1.6 mm
r _a max.	2.5 mm
Basic dynamic load rating C	1760 kN
Basic static load rating C ₀	3250 kN
Fatigue load limit P _u	245 kN
Reference speed	1000 r/min
Limiting speed	1400 r/min
Misalignment factor k ₁	0.127
Operating clearance factor k ₂	0.104
Mass bearing	45 kg