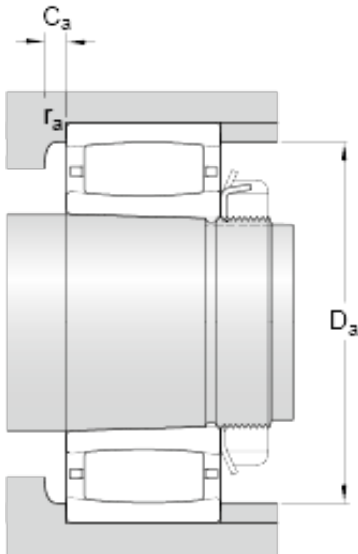




# BEARING CORP.OF AMERICA



360 mm x 600 mm x 192 mm skf C 3172 KM  
CARB toroidal roller bearings

Bearing No. C 3172 KM

C 3172 KM Bearing 2D drawings and 3D CAD models

d	360 mm
D	600 mm
B	192 mm
d <sub>2</sub>	423 mm
D <sub>1</sub>	537 mm
s <sub>1</sub> max.	27.9 mm
r <sub>1,2</sub> min.	5 mm
D <sub>a</sub> min.	507 mm
D <sub>a</sub> max.	580 mm
C <sub>a</sub> min.	3.9 mm
r <sub>a</sub> max.	4 mm
Basic dynamic load rating C	5000 kN
Basic static load rating C <sub>0</sub>	8000 kN
Fatigue load limit P <sub>u</sub>	585 kN
Reference speed	800 r/min
Limiting speed	1100 r/min
Misalignment factor k <sub>1</sub>	0.117
Operating clearance factor k <sub>2</sub>	0.094
Mass bearing	210 kg