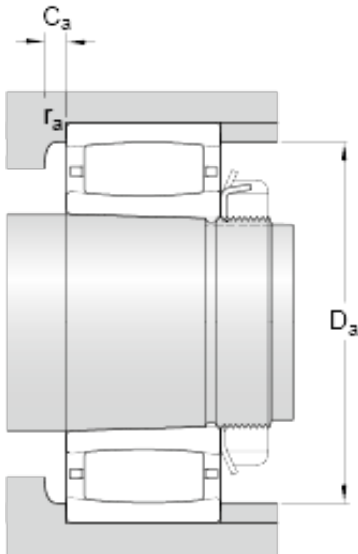




BEARING CORP.OF AMERICA



750 mm x 1090 mm x 250 mm skf C 30/750
KMB CARB toroidal roller bearings

Bearing No. C 30/750 KMB

C 30/750 KMB Bearing 2D drawings and 3D CAD models

d	750 mm
D	1090 mm
B	250 mm
d ₂	854 mm
D ₁	993 mm
s ₁ max.	28.6 mm
r _{1,2} min.	7.5 mm
D _a min.	961 mm
D _a max.	1062 mm
C _a min.	7.4 mm
r _a max.	6 mm
Basic dynamic load rating C	9500 kN
Basic static load rating C ₀	19300 kN
Fatigue load limit P _u	1160 kN
Reference speed	380 r/min
Limiting speed	530 r/min
Misalignment factor k ₁	0
Operating clearance factor k ₂	0.11
Mass bearing	813 kg