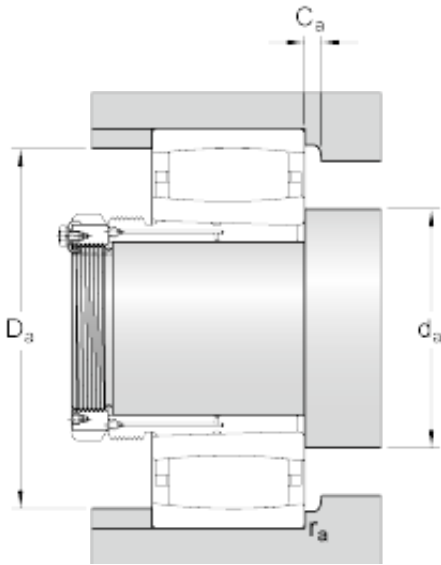




BEARING CORP.OF AMERICA

skf C 31/710 KMB + AOHX 31/710 CARB toroidal roller bearings

Bearing No. C 31/710 KMB + AOHX 31/710



C 31/710 KMB + AOHX 31/710 Bearing 2D drawings
and 3D CAD models

d_1	670 mm
D	1150 mm
B	345 mm
B_1	405 mm
d_2	842 mm
D_1	1013 mm
B_2	421 mm
G	Tr 750x7
G_1	60 mm
s_1 max.	47.8 mm
$r_{1,2}$ min.	9.5 mm
d_a min.	730 mm
d_a max.	841 mm
D_a min.	973 mm
D_a max.	1110 mm
C_a min.	11.1 mm
r_a max.	8 mm
Basic dynamic load rating C	13400 kN
Basic static load rating C_0	25500 kN
Fatigue load limit P_u	1530 kN
Reference speed	340 r/min
Limiting speed	480 r/min
Misalignment factor k_1	0
Operating clearance factor k_2	0.111
Mass bearing + sleeve	1600 kg



BEARING CORP.OF AMERICA