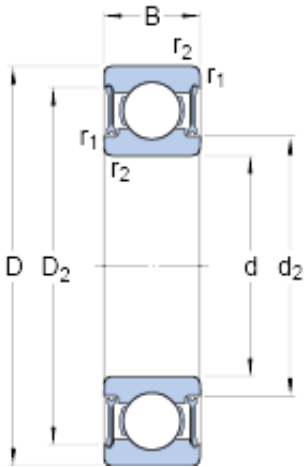




BEARING CORP.OF AMERICA



20 mm x 32 mm x 10 mm skf W 63804-2RZ
Deep groove ball bearings

Bearing No. W 63804-2RZ

W 63804-2RZ Bearing 2D drawings and 3D CAD models

Size	32x20x10 mm
Bore Diameter	32 mm
Outer Diameter	20 mm
Width	10 mm
d	20 mm
D	32 mm
B	10 mm
d ₂	22.6 mm
D ₂	29.52 mm
r _{1,2} - min.	0.3 mm
D _a - max.	mm
r _a - max.	0.3 mm
Basic dynamic load rating - C	3.1 kN
Basic static load rating - C ₀	2.1 kN
Fatigue load limit - P _u	0.09 kN
Reference speed	48000 r/min
Limiting speed	24000 r/min
Calculation factor - k _r	0.02
Calculation factor - f ₀	13.3
d ₂	22.6 mm
D ₂	29.52 mm
r _{1,2} min.	0.3 mm
D _a max.	0 mm
r _a max.	0.3 mm



BEARING CORP.OF AMERICA

Basic dynamic load rating C	3.12 kN
Basic static load rating C_0	2.08 kN
Fatigue load limit P_u	0.09 kN
Calculation factor k_r	0.02
Calculation factor f_0	13.3
Mass bearing	0.025 kg