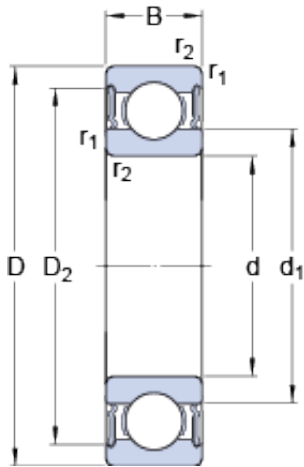




## BEARING CORP.OF AMERICA



25 mm x 47 mm x 16 mm skf 63005-2RS1 Deep groove ball bearings

Bearing No. 63005-2RS1

63005-2RS1 Bearing 2D drawings and 3D CAD models

Size	47x25x16 mm
Bore Diameter	47 mm
Outer Diameter	25 mm
Width	16 mm
d	25 mm
D	47 mm
B	16 mm
d <sub>1</sub>	32 mm
D <sub>2</sub>	42.2 mm
r <sub>1,2</sub> - min.	0.6 mm
d <sub>a</sub> - min.	29.2 mm
d <sub>a</sub> - max.	31.9 mm
D <sub>a</sub> - max.	43.8 mm
r <sub>a</sub> - max.	0.6 mm
Basic dynamic load rating - C	11.2 kN
Basic static load rating - C <sub>0</sub>	6.6 kN
Fatigue load limit - P <sub>u</sub>	0.275 kN
Limiting speed	9500 r/min
Calculation factor - k <sub>r</sub>	0.025
Calculation factor - f <sub>0</sub>	14
Category	Single Row Ball Bearings
Inventory	0.0
Manufacturer Name	SKF
Minimum Buy Quantity	N/A



## BEARING CORP.OF AMERICA

Weight / Kilogram	0.11
Product Group	B00308
Enclosure	2 Seals
Precision Class	ABEC 1   ISO P0
Maximum Capacity / Filling Slot	No
Rolling Element	Ball Bearing
Snap Ring	No
Internal Special Features	No
Cage Material	Steel
Enclosure Type	Contact Seal
Internal Clearance	C0-Medium
Inch - Metric	Metric
Long Description	25MM Bore; 47MM Outside Diameter; 16MM Outer Race Diameter; 2 Seals; Ball Bearing; ABEC 1   ISO P0; No Filling Slot; No Snap Ring; No Internal Special Features
Other Features	Cartridge Bearing
Category	Single Row Ball Bearing
UNSPSC	31171504
Harmonized Tariff Code	8482.10.50.68
Noun	Bearing
Keyword String	Ball
Manufacturer URL	<a href="http://www.skf.com">http://www.skf.com</a>
Manufacturer Item Number	63005-2RS1
Weight / LBS	0.243
Outside Diameter	1.85 Inch   47 Millimeter
Outer Race Width	0.63 Inch   16 Millimeter
Bore	0.984 Inch   25 Millimeter
bore diameter:	25 mm
static load capacity:	6.55 kN



## BEARING CORP.OF AMERICA

outside diameter:	47 mm
precision rating:	ABEC 3 (ISO Class 6)
overall width:	16 mm
finish/coating:	Uncoated
bore type:	Round
cage material:	Steel
closure type:	Double Sealed
outer ring width:	16 mm
row type & fill slot:	Single Row Non-Fill Slot
fillet radius:	0.6 mm
internal clearance:	C0
maximum rpm:	9500 RPM
operating temperature range:	-40 to +210 ° F
series:	63
dynamic load capacity:	11.2 kN
$d_1$	32 mm
$D_2$	42.2 mm
$r_{1,2}$ min.	0.6 mm
$d_a$ min.	29.2 mm
$d_a$ max.	31.9 mm
$D_a$ max.	43.8 mm
$r_a$ max.	0.6 mm
Basic dynamic load rating C	11.2 kN
Basic static load rating $C_0$	6.55 kN
Fatigue load limit $P_u$	0.275 kN
Calculation factor $k_r$	0.025
Calculation factor $f_0$	14
Mass bearing	0.11 kg