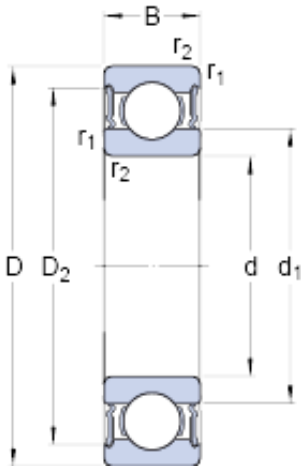




BEARING CORP.OF AMERICA



17 mm x 23 mm x 4 mm skf W 61703-2RS1
Deep groove ball bearings

Bearing No. W 61703-2RS1

W 61703-2RS1 Bearing 2D drawings and 3D CAD models

Size	23x17x4 mm
Bore Diameter	23 mm
Outer Diameter	17 mm
Width	4 mm
d	17 mm
D	23 mm
B	4 mm
d ₁	18.86 mm
D ₂	21.67 mm
r _{1,2} - min.	0.2 mm
d _a - min.	18.5 mm
d _a - max.	18.5 mm
D _a - max.	22 mm
r _a - max.	0.2 mm
Basic dynamic load rating - C	0.559 kN
Basic static load rating - C ₀	0.34 kN
Fatigue load limit - P _u	0.015 kN
Limiting speed	17000 r/min
Calculation factor - k _r	0.015
Calculation factor - f ₀	8.5
Category	Single Row Ball Bearings
Inventory	0.0
Manufacturer Name	SKF
Minimum Buy Quantity	N/A



BEARING CORP.OF AMERICA

Weight / Kilogram	0
Product Group	B00308
Enclosure	2 Seals
Precision Class	ABEC 1 ISO P0
Maximum Capacity / Filling Slot	No
Rolling Element	Ball Bearing
Snap Ring	No
Internal Special Features	No
Cage Material	Stainless Steel
Enclosure Type	Contact Seal
Internal Clearance	C0-Medium
Inch - Metric	Metric
Long Description	17MM Bore; 23MM Outside Diameter; 4MM Outer Race Width; 2 Seals; Ball Bearing; ABEC 1 ISO P0; No Filling Slot; No Snap Ring; No Internal Special Features; C0-Medium Internal Clearance; Stainless Ste
Other Features	Deep Groove NBR Seal
Category	Single Row Ball Bearing
UNSPSC	31171504
Harmonized Tariff Code	8482.10.50.68
Noun	Bearing
Keyword String	Ball
Manufacturer URL	http://www.skf.com
Weight / LBS	0.0086
Bore	0.669 Inch 17 Millimeter
Outside Diameter	0.906 Inch 23 Millimeter
Inner Race Width	0 Inch 0 Millimeter
Outer Race Width	0.157 Inch 4 Millimeter
d ₁	18.86 mm



BEARING CORP.OF AMERICA

D_2	21.67 mm
$r_{1,2}$ min.	0.2 mm
d_a min.	18.5 mm
d_a max.	18.5 mm
D_a max.	22 mm
r_a max.	0.2 mm
Basic dynamic load rating C	0.559 kN
Basic static load rating C_0	0.34 kN
Fatigue load limit P_u	0.015 kN
Calculation factor k_r	0.015
Calculation factor f_0	8.5
Mass bearing	0.0039 kg