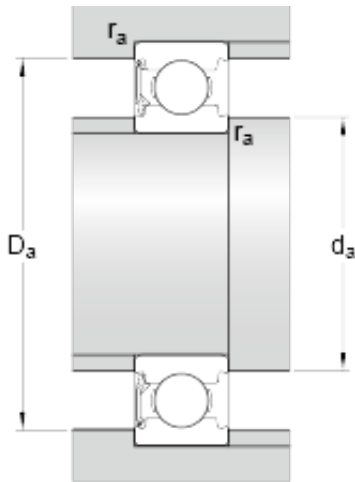




# BEARING CORP.OF AMERICA



6308-RSH Bearing 2D drawings and 3D CAD models

40 mm x 90 mm x 23 mm skf 6308-RSH Deep groove ball bearings

Bearing No. 6308-RSH

d	40 mm
D	90 mm
B	23 mm
d <sub>2</sub>	52.373 mm
D <sub>2</sub>	78.6 mm
r <sub>1,2</sub> min.	1.5 mm
d <sub>a</sub> min.	49 mm
d <sub>a</sub> max.	52 mm
D <sub>a</sub> max.	81 mm
r <sub>a</sub> max.	1.5 mm
Basic dynamic load rating C	42.3 kN
Basic static load rating C <sub>0</sub>	24 kN
Fatigue load limit P <sub>u</sub>	1.02 kN
Limiting speed	5000 r/min
Calculation factor k <sub>r</sub>	0.03
Calculation factor f <sub>0</sub>	13.2
Mass bearing	0.62 kg