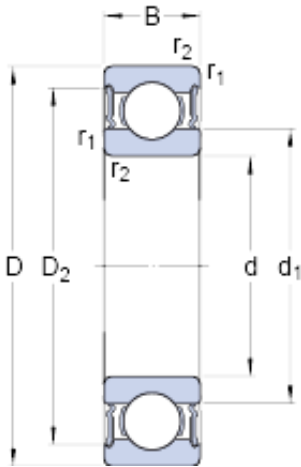




BEARING CORP.OF AMERICA



20 mm x 47 mm x 14 mm skf W 6204-2RS1
Deep groove ball bearings

Bearing No. W 6204-2RS1

W 6204-2RS1 Bearing 2D drawings and 3D CAD models

Size	47x20x14 mm
Bore Diameter	47 mm
Outer Diameter	20 mm
Width	14 mm
d	20 mm
D	47 mm
B	14 mm
d ₁	29.5 mm
D ₂	40.9 mm
r _{1,2} - min.	1 mm
d _a - min.	25 mm
d _a - max.	29 mm
D _a - max.	42 mm
r _a - max.	1 mm
Basic dynamic load rating - C	10.8 kN
Basic static load rating - C ₀	6.6 kN
Fatigue load limit - P _u	0.28 kN
Limiting speed	10000 r/min
Calculation factor - k _r	0.03
Calculation factor - f ₀	13.1
Category	Single Row Ball Bearings
Inventory	10.0
Manufacturer Name	SKF
Minimum Buy Quantity	N/A



BEARING CORP.OF AMERICA

Weight / Kilogram	0.103
EAN	7316570614732
Product Group	B00308
Enclosure	2 Seals
Precision Class	ABEC 1 ISO P0
Maximum Capacity / Filling Slot	No
Rolling Element	Ball Bearing
Snap Ring	No
Internal Special Features	No
Cage Material	Stainless Steel
Enclosure Type	Contact Seal
Internal Clearance	C0-Medium
Inch - Metric	Metric
Long Description	20MM Bore; 47MM Outside Diameter; 14MM Outer Race Width; 2 Seals; Ball Bearing; ABEC 1 ISO P0; No Filling Slot; No Snap Ring; No Internal Special Features; C0-Medium Internal Clearance; Stainless St
Other Features	Deep Groove NBR Seal
Category	Single Row Ball Bearing
UNSPSC	31171504
Harmonized Tariff Code	8482.10.50.68
Noun	Bearing
Keyword String	Ball
Manufacturer URL	http://www.skf.com
Manufacturer Item Number	W 6204-2RS1
Weight / LBS	0.242
Bore	0.787 Inch 20 Millimeter
Outside Diameter	1.85 Inch 47 Millimeter
Outer Race Width	0.551 Inch 14 Millimeter



BEARING CORP.OF AMERICA

Inner Race Width	0 Inch 0 Millimeter
d_1	29.5 mm
D_2	40.92 mm
$r_{1,2}$ min.	1 mm
d_a min.	25 mm
d_a max.	29 mm
D_a max.	42 mm
r_a max.	1 mm
Basic dynamic load rating C	10.8 kN
Basic static load rating C_0	6.55 kN
Fatigue load limit P_u	0.28 kN
Calculation factor k_r	0.03
Calculation factor f_0	13.1
Mass bearing	0.1 kg