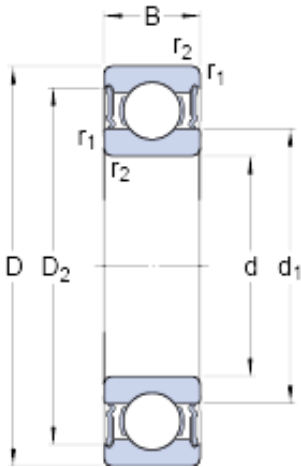




# BEARING CORP.OF AMERICA



60 mm x 110 mm x 28 mm skf 62212-2RS1  
Deep groove ball bearings

Bearing No. 62212-2RS1

62212-2RS1 Bearing 2D drawings and 3D CAD models

Size	110x60x28 mm
Bore Diameter	110 mm
Outer Diameter	60 mm
Width	28 mm
d	60 mm
D	110 mm
B	28 mm
d <sub>1</sub>	75.5 mm
D <sub>2</sub>	98 mm
r <sub>1,2</sub> - min.	1.5 mm
d <sub>a</sub> - min.	69 mm
d <sub>a</sub> - max.	75.4 mm
D <sub>a</sub> - max.	101 mm
r <sub>a</sub> - max.	1.5 mm
Basic dynamic load rating - C	52.7 kN
Basic static load rating - C <sub>0</sub>	36 kN
Fatigue load limit - P <sub>u</sub>	1.5 kN
Limiting speed	4000 r/min
Calculation factor - k <sub>r</sub>	0.025
Calculation factor - f <sub>0</sub>	14.3
Category	Single Row Ball Bearings
Inventory	1.0
Manufacturer Name	SKF
Minimum Buy Quantity	N/A



## BEARING CORP.OF AMERICA

Weight / Kilogram	1.032
EAN	7316577742483
Product Group	B00308
Enclosure	2 Seals
Precision Class	ABEC 1   ISO P0
Maximum Capacity / Filling Slot	No
Rolling Element	Ball Bearing
Snap Ring	No
Internal Special Features	No
Cage Material	Steel
Enclosure Type	Contact Seal
Internal Clearance	C0-Medium
Inch - Metric	Metric
Long Description	60MM Bore; 110MM Outside Diameter; 28MM Outer Race Diameter; 2 Seals; Ball Bearing; ABEC 1   ISO P0; No Filling Slot; No Snap Ring; No Internal Special Features
Other Features	Cartridge Bearing
Category	Single Row Ball Bearing
UNSPSC	31171504
Harmonized Tariff Code	8482.10.50.68
Noun	Bearing
Keyword String	Ball
Manufacturer URL	<a href="http://www.skf.com">http://www.skf.com</a>
Manufacturer Item Number	62212-2RS1
Weight / LBS	2.264
Outer Race Width	1.102 Inch   28 Millimeter
Outside Diameter	4.331 Inch   110 Millimeter
Bore	2.362 Inch   60 Millimeter
bore diameter:	60 mm



## BEARING CORP.OF AMERICA

static load capacity:	36 kN
outside diameter:	110 mm
precision rating:	ABEC 3 (ISO Class 6)
overall width:	28 mm
finish/coating:	Uncoated
bore type:	Round
cage material:	Steel
closure type:	Double Sealed
outer ring width:	28 mm
row type & fill slot:	Single Row Non-Fill Slot
fillet radius:	1.5 mm
internal clearance:	C0
maximum rpm:	4000 RPM
operating temperature range:	-40 to +210 ° F
series:	62
dynamic load capacity:	52.7 kN
$d_1$	75.5 mm
$D_2$	98 mm
$r_{1,2}$ min.	1.5 mm
$d_a$ min.	69 mm
$d_a$ max.	75.4 mm
$D_a$ max.	101 mm
$r_a$ max.	1.5 mm
Basic dynamic load rating C	52.7 kN
Basic static load rating $C_0$	36 kN
Fatigue load limit $P_u$	1.53 kN
Calculation factor $k_r$	0.025
Calculation factor $f_0$	14.3
Mass bearing	1.01 kg