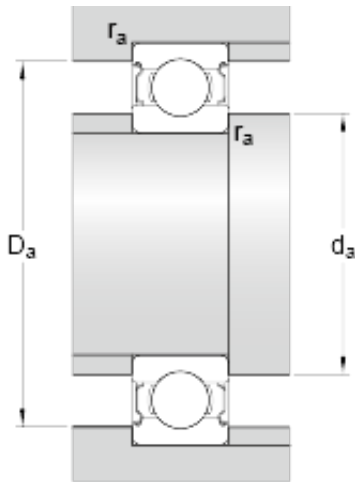




# BEARING CORP. OF AMERICA



4 mm x 10 mm x 4 mm skf W 638/4 X-2Z Deep groove ball bearings

Bearing No. W 638/4 X-2Z

d	4 mm
D	10 mm
B	4 mm
d <sub>1</sub>	5.9 mm
D <sub>2</sub>	8.8 mm
r <sub>1,2</sub> min.	0.2 mm
d <sub>a</sub> min.	5.6 mm
d <sub>a</sub> max.	5.8 mm
D <sub>a</sub> max.	8.8 mm
r <sub>a</sub> max.	0.2 mm
Basic dynamic load rating C	0.553 kN
Basic static load rating C <sub>0</sub>	0.245 kN
Fatigue load limit P <sub>u</sub>	0.011 kN
Reference speed	130000 r/min
Limiting speed	63000 r/min
Calculation factor k <sub>r</sub>	0.02
Calculation factor f <sub>0</sub>	12.3
Mass bearing	0.0013 kg

W 638/4 X-2Z Bearing 2D drawings and 3D CAD models