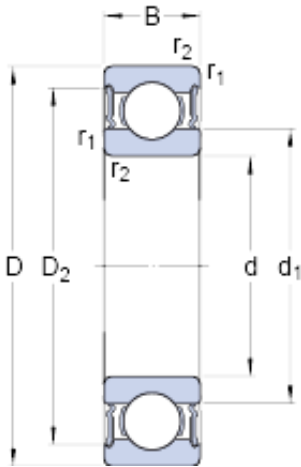




BEARING CORP.OF AMERICA



55 mm x 72 mm x 9 mm skf W 61811-2RS1 Deep groove ball bearings

Bearing No. W 61811-2RS1

W 61811-2RS1 Bearing 2D drawings and 3D CAD models

Size	72x55x9 mm
Bore Diameter	72 mm
Outer Diameter	55 mm
Width	9 mm
d	55 mm
D	72 mm
B	9 mm
d ₁	60.3 mm
D ₂	68.68 mm
r _{1,2} - min.	0.3 mm
D _a - max.	70 mm
r _a - max.	0.3 mm
Basic dynamic load rating - C	7.2 kN
Basic static load rating - C ₀	8.5 kN
Fatigue load limit - P _u	0.345 kN
Limiting speed	5300 r/min
Calculation factor - k _r	0.02
d ₁	60.3 mm
D ₂	68.68 mm
r _{1,2} min.	0.3 mm
d _a min.	57 mm
d _a max.	60 mm
D _a max.	70 mm
r _a max.	0.3 mm



BEARING CORP.OF AMERICA

Basic dynamic load rating C	7.15 kN
Basic static load rating C_0	8.5 kN
Fatigue load limit P_u	0.345 kN
Calculation factor k_r	0.02
Calculation factor f_0	17
Mass bearing	0.079 kg